

**MANNESMANN
REXROTH****Fixed Displacement Motor A10FSM**for open and closed loop circuits
Axial piston unit, swashplate design**RE
91180/04.93**

Brueninghaus Hydromatik

Size 18

Nominal pressure 280 bar Peak pressure 350 bar

Preliminary Issue

Medium pressure range

Fixed displacement axial piston motors of swashplate design are used in hydrostatic drives in open and closed loop circuits. These motors are suitable for use in industrial and mobile applications.

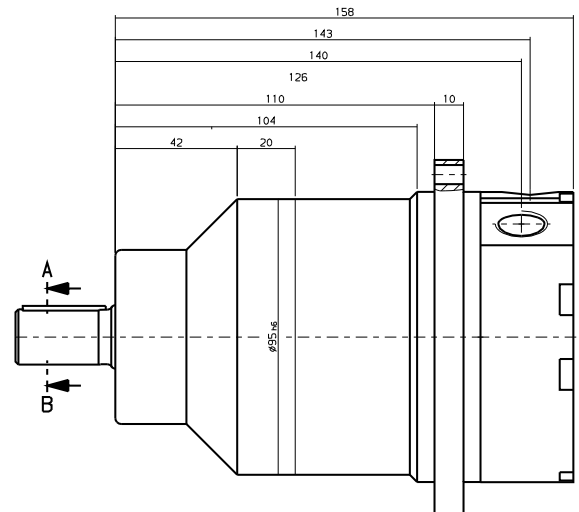
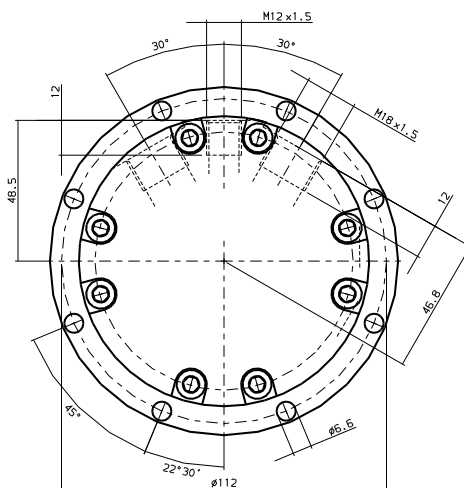
The output speed is proportional to the flow and inversely proportional to the displacement. The output torque increases with respect to the pressure drop between the high and low pressure ends.



| | | | |
|-------------------------------------|-----------------|-----------------|------------|
| Size | 18 | | |
| Displacement | $V_{g \max}$ | cm ³ | 18 |
| Max. speed | n_{\max} | rpm | 4200 |
| Max. flow | at n_{\max} | Q_{\max} | L/min 75,6 |
| Max. power ($\Delta p = 280$ bar) | at n_{\max} | P_{\max} | kW 35,3 |
| Max. torque ($\Delta p = 280$ bar) | at $V_{g \max}$ | M_{\max} | Nm 80 |

Special features

- Long service life
- High output speed
- Established A10 drive technology
- Good power to weight ratio
- Low noise

**Section A-B**